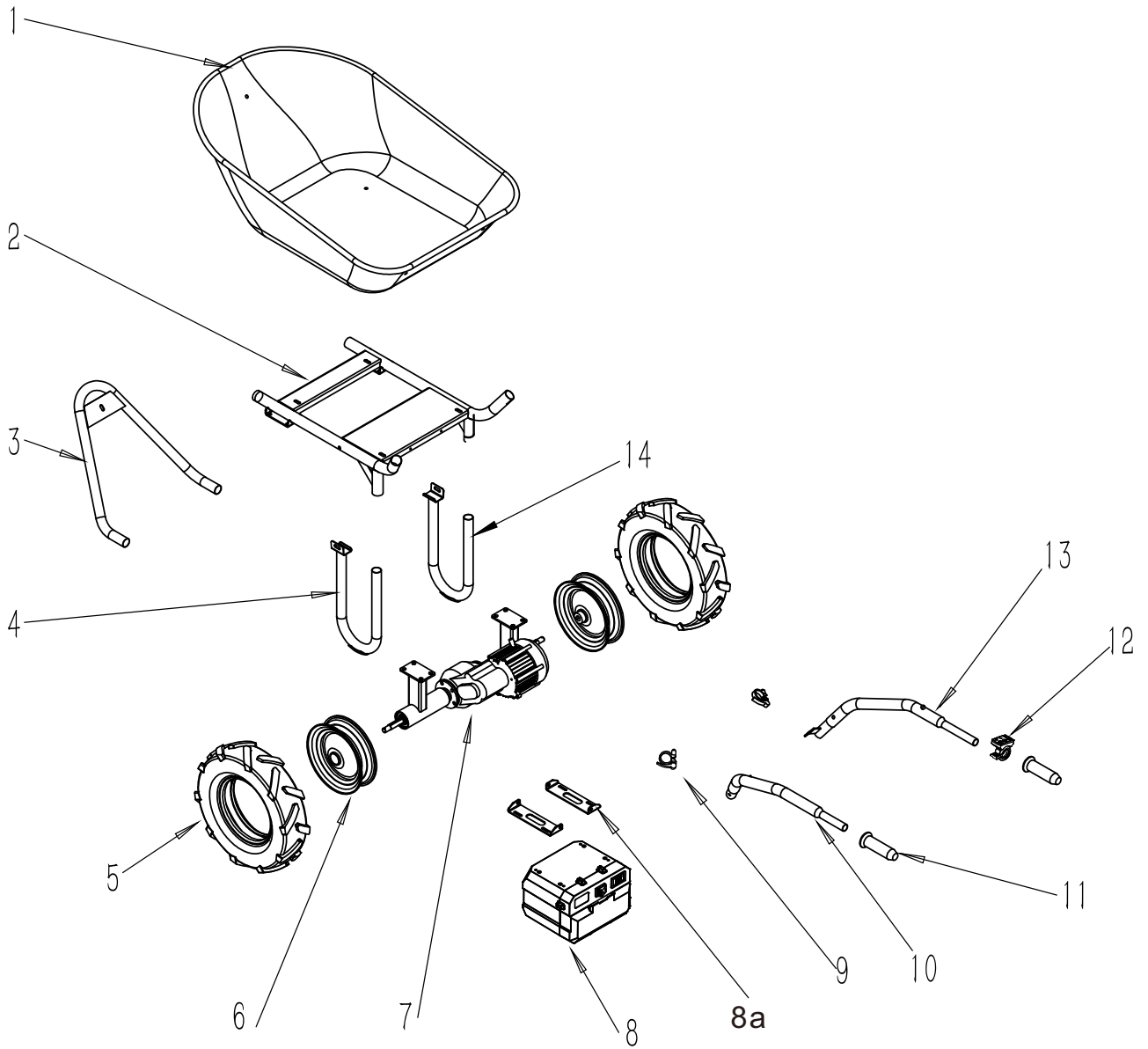


**CORDLESS WHEELBARROW /
AKU DVOUKOLÁK**

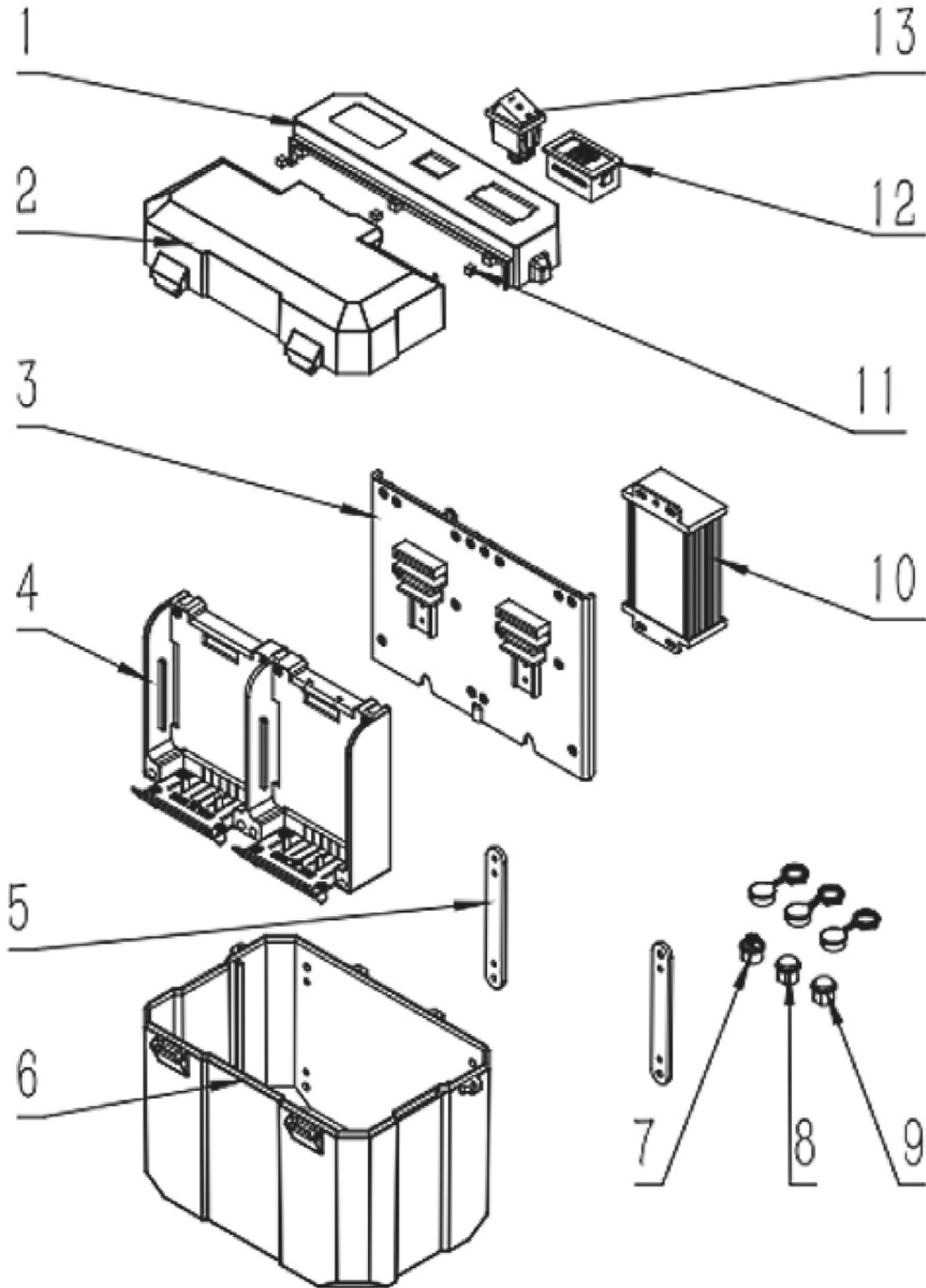
Item No. **8791941**



| | part number | description | popis | qty/ks | Madal Bal order No. / obj. číslo dílu |
|-----|---------------|---------------------------------------|--|--------|--|
| 1 | GB70266-SP01 | Tray | korba náhradní, kovová, 100l | 1 | 8791590A |
| 2 | GB70266-SP02 | Main frame | rám hlavní | 1 | 8791590-2 |
| 3 | GB70266-SP03 | Front base frame | rám přední | 1 | 8791590-3 |
| 4 | GB70266-SP04 | Left Support feet | opora levá | 1 | 8791590-4 |
| 5 | GB70266-SP05 | Tyre | pneumatika | 1 | 8791590-5 |
| | | tire with rim, left | pneumatika s ráfkem, levá | 1 | 8791590-5-L |
| | | tire with rim, right | pneumatika s ráfkem, pravá | 1 | 8791590-5-R |
| 6 | GB70066-SP06 | Rim | ráfek | 1 | 8791590-6 |
| 7 | GB70066-SP07 | Drive motor assy | motor s převodovkou | 1 | 8791590-7 |
| 8 | GB70266-SP08 | Battery box (with motor controller) | skříň na baterii s elektronikou | 1 | |
| 8A | GB70266-SP08A | Battery box connect plate | držák skříně na baterii s elektronikou | 1 | |
| 9 | GB70266-SP09 | Tube clamps | svorka trubková | 1 | 8791590-9 |
| 10 | GB70266-SP10 | Left handle | rám levý | 1 | 8791590-10 |
| 11 | GB70266-SP11 | Handle cap | rukojeť | 1 | 8791590-11 |
| 12 | GB70266-SP12 | Speed control lever | ovládání tlačítkové s kabelem | 1 | 8791590-12 |
| 13 | GB70266-SP13 | Right handle | rám pravý | 1 | 8791590-13 |
| 13A | GB70266-SP13A | Right handle with Speed control lever | rám pravý s ovládáním | 1 | 8791590-13A |
| 14 | GB70266-SP14 | Right Support feet | opora pravá | 1 | 8791590-14 |

**BATTERY BOX /
SKŘÍŇ NA BATERII**

Item No. **8791941-8**



| | part number | description | popis | qty/ks | Madal Bal order No. / obj. číslo dílu |
|----|--------------|--|--|--------|--|
| 1 | GB70266-SB01 | Battery box cover | kryt skříně na baterie | 1 | 8891592-12-1 |
| 2 | GB70266-SB02 | Transparent cover | dvířka průhledná | 1 | 8891592-12-2 |
| 3 | GB70266-SB03 | Mainboard | deska s elektronikou | 1 | 8891592-12-3 |
| 4 | GB70266-SB04 | Battery socket base | sloty na baterie | 1 | 8891941-7-4 |
| 5 | GB70266-SB05 | Lining plate | výztuha | 2 | 8891592-12-5 |
| 6 | GB70266-SB06 | Main body | skříň na baterie | 1 | 8891592-12-6 |
| 7 | GB70266-SB07 | 10-pin L socket (with male and female) | 10kolíková L zásuvka (sameček a samička) | 1 | 8891590-7-2 |
| 8 | GB70266-SB08 | 3-pin socket (with male and female) | 3kolíková zásuvka (sameček a samička) | 1 | 8891590-7-13 |
| 9 | GB70266-SB09 | 5-pin socket (with male and female) | 5kolíková zásuvka (sameček a samička) | 1 | 8891590-7-14 |
| 10 | GB70266-SB10 | Motor controller | ovládací jednotka motoru | 1 | 8791941-8-10 |
| 11 | GB70266-SB11 | Magnet block | magnet | 3 | 8891592-12-11 |
| 12 | GB70266-SB12 | Voltage indicator | Indikátor napětí | 1 | 8891592-12-12 |
| 13 | GB70266-SB13 | ON/OFF Switch | spínač | 1 | 8891592-12-13 |